

Specifications of PVDF Module (STERAPORE™ 5000 Series)

[Table of Specifications]

Model No.	Element Model No.	Number of Elements (pcs)	Membrane Surface Area (m ²)	Dry Weight (kg)	Minimum water depth (m)
50M0060FF	50E0006SM	10	60	120	1.8
50M0120FF		20	120	190	1.8
50M0180FF		30	180	260	1.8
50M0150FF	50E0015SA	10	150	350	2.3
50M0300FF		20	300	500	2.3
50M0450FF		30	450	650	2.3
50M0600FF		40	600	850	2.3
50M0250FF	50E0025SA	10	250	400	3.0
50M0500FF		20	500	600	3.0
50M0750FF		30	750	800	3.0
50M1000FF		40	1,000	1,000	3.0
50M1500FF		60	1,500	1,550	3.0

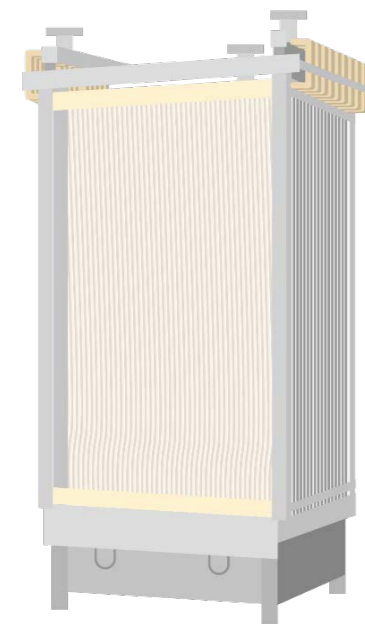
[Table of Dimensions]

Model No.	Element Model No.	Dimensions (mm)			Connection		Reference drawing
		Depth	Width	Height	Permeate Nozzle	Air Nozzle	
		A	B	C	D	E	
50M0060FF	50E0006SM	642	855	1,922	R2	R2 1/2	①
50M0120FF		642	1,295	1,922	R2	R2 1/2	
50M0180FF		642	1,735	1,922	R2	R2 1/2	
50M0150FF	50E0015SA	1,524	940	2,098	65A	80A	②
50M0300FF		1,524	1,390	2,098	65A	80A	
50M0450FF		1,524	1,870	2,098	65A	80A	
50M0600FF		1,524	2,320	2,098	65A	80A	
50M0250FF	50E0025SA	1,524	940	2,798	65A	80A	②
50M0500FF		1,524	1,390	2,798	65A	80A	
50M0750FF		1,524	1,870	2,798	65A	80A	
50M1000FF		1,524	2,320	2,798	65A	80A	
50M1500FF		1,524	3,416	2,798	65A	80A	
							- *

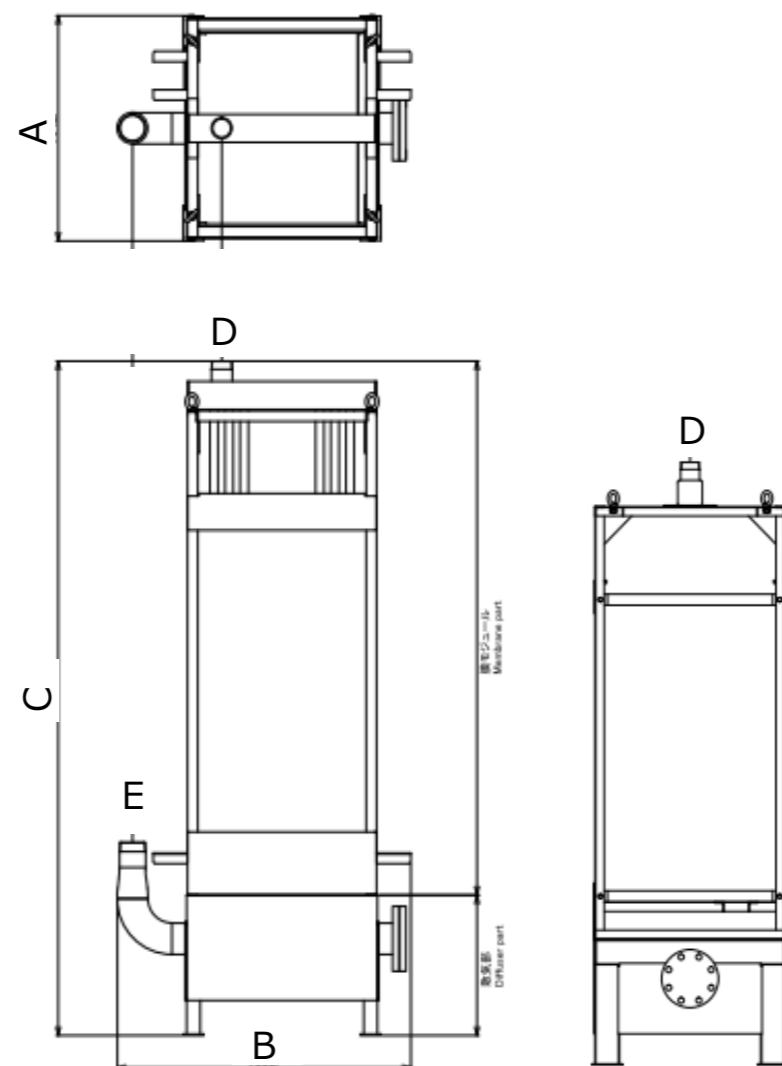
* : Please contact us for more information.

Product specifications and shape described herein are subject to change without notice.

<Illustration of Module>



<Reference drawing ①>



<Reference drawing ②>

