

Mitsubishi Chemical Aqua Solutions' DiaFellow DM provides the best solution for various water treatment sites.

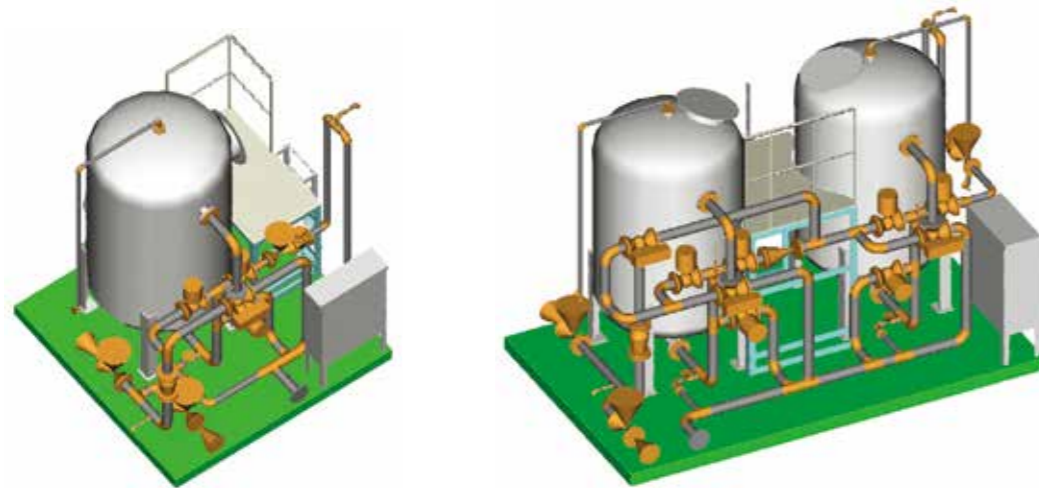
Great for these uses:

- Car wash wastewater treatment and recycling
- Garage wastewater treatment and recycling
- Coolant water treatment and recycling
- Compressor drain treatment
- Degreasing and rinsing treatment
- Tank yard wastewater treatment
- Oil, power and steel plant wastewater treatment
- Factory rainwater and wastewater treatment
- Other general mineral oil and oily wastewater treatment

DiaFellow DM Standard Specifications

Model	DM1			DM2			
	03	05	10	03	05	10	
Treatment capacity	One-tower model			Two-tower model			
Frontage W	3	5	10	3	5	10	
Est. dimensions							
Depth L	1,700	2,000	2,400	1,500	1,900	2,400	
Height H	1,500	1,850	2,400	2,300	2,450	2,600	
Weight	Operating	approx. 1.9	approx. 2.4	approx. 4.2	approx. 3.0	approx. 4.3	approx. 7.0
	Empty	approx. 0.8	approx. 1.1	approx. 1.8	approx. 1.3	approx. 2.0	approx. 3.0

Note: Equipment specifications are decided by analyzing actual water details during actual design.



DiaFellow DM

DiaFellow DM

- Current oily wastewater treatment system lacks sufficient ability to remove oil in wastewater
- Current oily wastewater treatment system requires too much treatment and maintenance
- There is a need to minimize treatment system installation space
- There are many difficulties relating to safely and effectively recycling large amounts of wastewater

The DiaFellow DM from Mitsubishi Chemical Aqua Solutions is a packaged Oily Wastewater Treatment System that helps solve the problems of your current system.

Caution

- Read all warnings before using this system, and operate properly.
- Product specifications may be altered without notice for improvement or other purposes.

Distribution Source

MITSUBISHI CHEMICAL AQUA SOLUTIONS CO.,LTD.

10F, Gate City Ohsaki East Tower, 1-11-2, Ohsaki, Shinagawa-ku,
Tokyo 141-0032, Japan
TEL : +81-3-6268-0369 FAX : +81-3-6268-0417

DiaFellow DM

1. Easily achieves concentrations of 5mg/l or lower with a powerful oil adsorbent.

The powerful DiaFellow DM oil adsorbent, developed by Mitsubishi Chemical, cuts surface oil, dispersed oil, emulsified oil and oil otherwise mixed in with wastewater. DiaFellow DM also enables you to remove oil emulsion, which has been difficult to treat until this point.

2. Recycles wastewater and cuts costs.

Water treated by the DiaFellow DM is exceedingly clear, allowing wastewater to be recycled. Expect significant cost savings from water used for car washes and coolant.

Reliable, stable treatment

The system removes not only oil, but also high rates of chemical oxygen demand (COD) and suspended solids (SS), providing stable treated water quality.

Compact design

The system's compact design with few components allows for lower facility costs and smaller installation areas.

Easy maintenance

With fully automated operation possible, there is no need to replenish additives or treat sludge. Normal maintenance consists only of adsorbent replacement and equipment inspections, allowing for the reduction of maintenance costs.

Fully enclosed

The fully enclosed system allows you to keep the environment clean.

Handles high oil concentration

Depending on the characteristics of what is to be treated, various combinations of pretreatment and post-treatment facilities are possible.

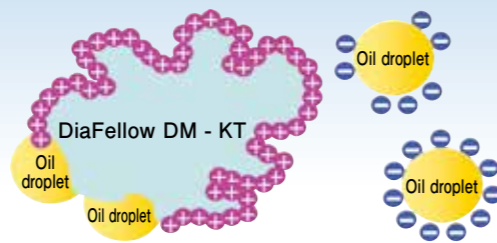
Recycles wastewater

With no additives, treated water can be recycled for a wide variety of uses with DiaFellow DM as a water recycling system.

Note: Generally, "oil" is represented as n-hexane extract. There are also "mineral oils," "plant and animal oil" and "non-oil components." DiaFellow DM treats all but plant and animal oils.

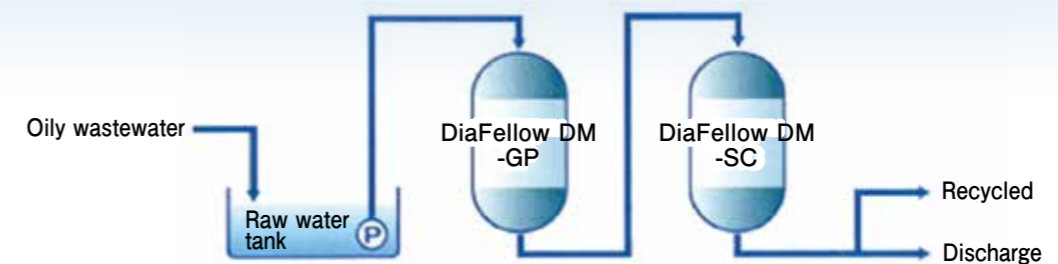
The DiaFellow DM Oil Adsorbent

The DiaFellow DM is a powerful oil adsorbent researched and developed by Mitsubishi Chemical. A granular product comprised of a high molecular lipophilic polyolefin compound and a mineralized material is loaded into the adsorption tower. The product then passes through the oily wastewater and adsorbs the oil, removing it.



1. Microscopic negatively charged oil droplets are adsorptively removed
2. The porous, granular body greatly increases adsorbed oil amounts
3. Works with dispersed oil, emulsified oil and a wide range of oily waters

DiaFellow DM Basic Treatment Flow

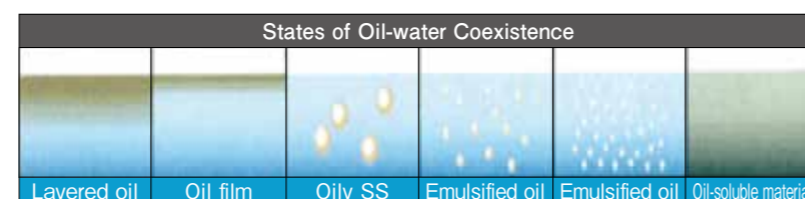


DiaFellow DM Oil Adsorbent Varieties



DiaFellow DM Oil Adsorbent Performance with Oil States

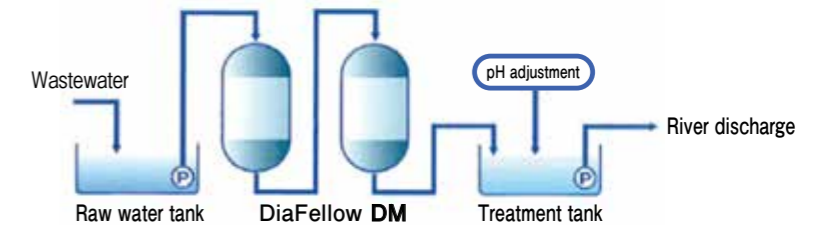
Products	n-hexane extract				Non-oil component
	Surface oil	Dispersed oil	Emulsified oil	Oil-soluble material	
DiaFellow DM - SB	████████				
DiaFellow DM - BB	████████				
DiaFellow DM - GP		████████			
DiaFellow DM - KT		████████	████████		
DiaFellow DM - SC				████████	



Case Studies

① Railcar center wastewater treatment

- Drainage 24m³/day
 - Discharge standards Mineral oil: 5mg/l or less
Raw water: 45mg/l
Treated water: 2mg/l or less
- Switched from flocculation-floatation facilities to DiaFellow DM.



② Recycled wastewater bus wash

- Treatment capacity: 5m³/hr.
- Raw water: 7mg/l
- Treated water: 3mg/l or less

③ Automotive garage wastewater recycling

- Treatment capacity: 4m³/hr.
- Raw water: 50mg/l
- Treated water: 3mg/l or less

④ Compressor drain treatment equipment

- Treatment capacity: 3m³/hr.
- Raw water: 100mg/l
- Treated water: 5mg/l or less